

primus®

GET AHEAD IN LAUNDRY+



NF10 | ND10 PROFESSIONAL WASHER AND DRYER



COMPACT DESIGN
Saving the footprint



HIGH EXTRACTION SPEED
For shorter drying cycles and saving the energy



USER-FRIENDLY
Very simple and intuitive interface

FEATURES & BENEFITS

Features washer

- Stainless steel outer and inner drum
- Industry-leading 440 G-Force extraction removes more moisture, minimizing drying times and utility costs
- Totally freestanding: can be installed on any floor and any level
- Suspension with new out-of-balance logic
- Soap box with four compartments
- Standard with drain pump
- Top, front and side panels standard available in anthracite grey
- Electrical heating or boiler-fed
- 6 wash programs
- Led indication of the status of the program
- Time remaining countdown

Features dryer

- Galvanized steel cylinder
- Oversized lint filter located in front for easy cleaning
- Powerful exhaust blower assures short drying times and low operating costs
- Wide door opening of 180° for easy loading and unloading
- Top, front and side panels standard available in anthracite grey
- Electrical or gas heating
- 4 drying programs
- Led indication of the status of the program
- Time remaining countdown

SPECIFICATIONS

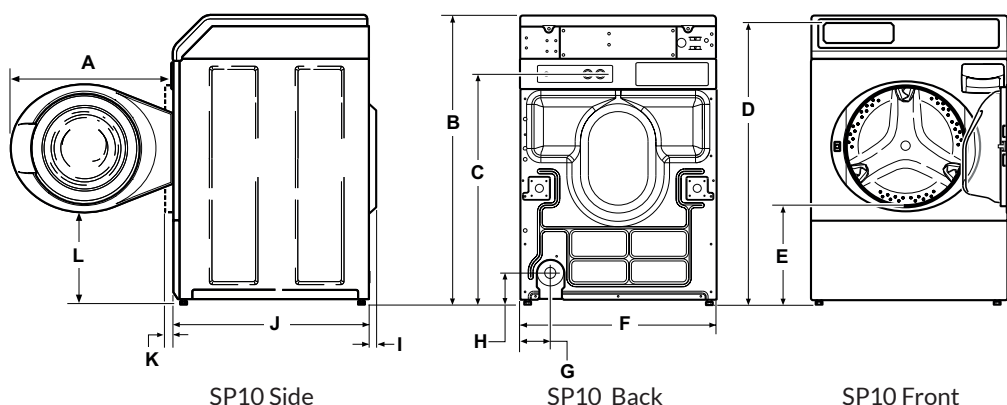
NF10	NF3JGBSP403UG01	NF3JGBJP403UG43	NF3JGBSG403UG01	NF3NGBJG403UG44	NF3JGBSP403NG22
Market	Europe/CE	Europe/CE	Europe/CE	Europe/CE	No agency
Actuation	OPL ¹ /PCP ²	OPL ¹ /PCP ²	OPL ¹ /PCP ²	OPL ¹ /PCP ²	OPL ¹ /PCP ²
Basket	Stainless	Soap inject./grey boot	Stainless	Soap inject./grey boot	Stainless
Drain	Pump	Pump	Gravity drain	Gravity drain	Pump
Capacity	10.5 kg	10.5 kg	10.5 kg	10.5 kg	10.5 kg

ND10	ND3NGBGS403UG01	NDENGBGS303UG01	NDGNGBGS303UG01
Market	Europe/CE	Europe/CE	Europe/CE
Actuation	OPL ¹ /PCP ²	OPL ¹ /PCP ²	OPL ¹ /PCP ²
Heating	Electric*	Electric*	Gas
El. connection	400V/50Hz/3N	230V/50Hz/1N	230V/50Hz/1N

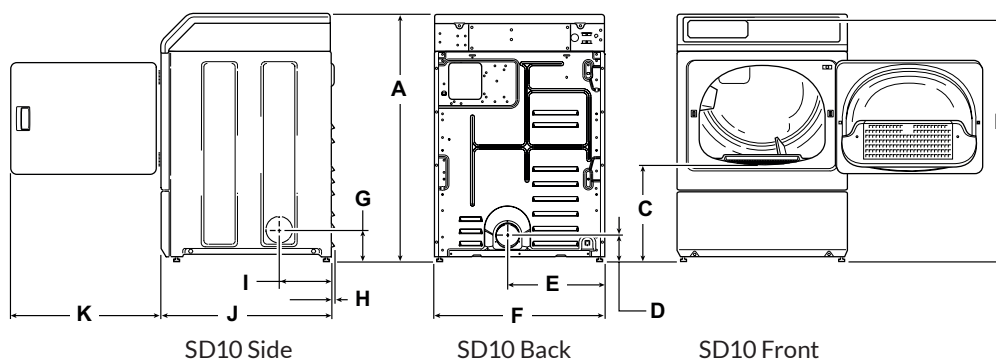
¹On Premise Laundry ²Prep for Central Pay

Front load washer	SP10
Drum volume	l
Frequency controlled	kW
Extraction speed	rpm
G-factor	
Electrical connection	400v/50Hz/3N
Electrical heating	kW
Dimensions H×W×D	mm
Net weight	kg
Volume (packed)	m ³
Packed H×W×D	mm
Gross weight	kg

Dryer	SD10
Capacity	kg
Drum volume	l
Electrical heating	5,2 (230V) 5,3 (400V)*
Gas heating	kW
Motor power	rpm
Exhaust	mm
Dimensions H×W×D	mm
Net weight	kg
Volume (packed)	m ³
Packed H×W×D	mm
Gross weight	kg



	A	B	C	D	E	F	G	H	I	J	K	L
NF10	611	1027	813	1006	371	683	107	104	52	704	40	333
	height					width				depth		



	A	B	C	D	E	F	G	H	I	J	K
ND10	1027	1006	392	102	391	683	114	10	203	711	597
	height					width				depth	