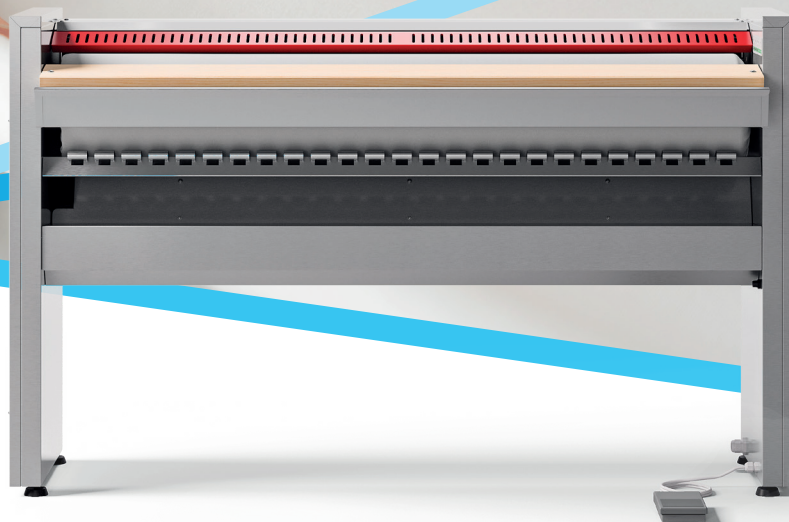


primus®

GET AHEAD IN LAUNDRY+

I18 | I25

CHEST HEATED IRONERS



COMPACT DESIGN
Longer roller length on the same footprint



EASY OPERATION
Increased feeding space and easy-to-use button control



GREAT IRONING WIDTH
Higher output values even with smaller roll diameters



FEATURES & BENEFITS

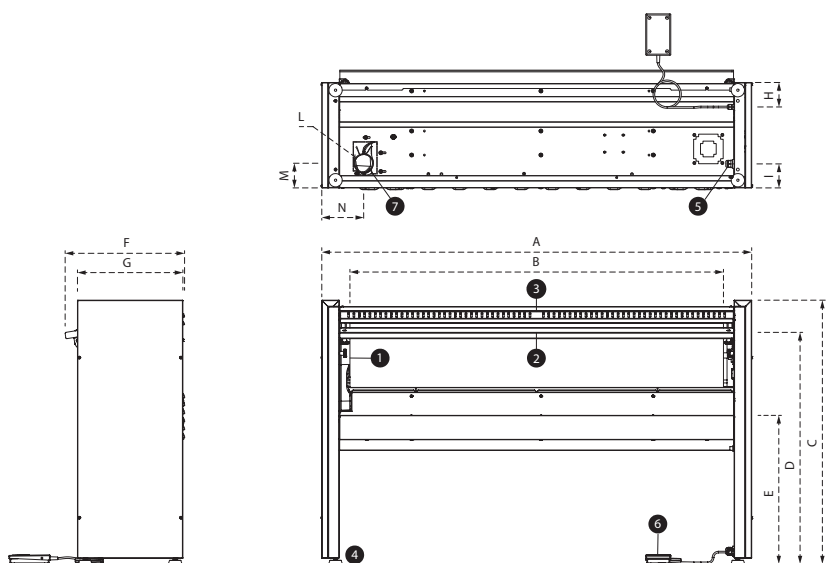
- Compact design with bigger space for comfortable feeding of linen
- Microprocessor button control – simple, clear and easy to use
- Variable speed and chest pressure to ensure top ironing quality
- Standard finger guard protection – for increased safety
- When unattended, the ironer shuts off automatically
- Controlled temperature regulation offering better temperature distribution and reduced energy consumption
- Long-life heating elements
- Anodised extruded aluminium profile avoiding temperature drop
- Backside of the heated chest is insulated with ceramic wool
- Reduced number of mechanical and moving parts for a lower maintenance cost
- All vital components are easily accessible
- Start/stop pedal for simple and smooth operation

Consult your sales representative for availability

Primus by Alliance Laundry Systems

SPECIFICATIONS

TYPE		I18-120 VT	I18-140 VT	I25-120 VT	I25-140 VT	I25-140 AVT
ROLLER DIMENSIONS						
Length	mm	1200	1400	1200	1400	1400
Diameter	mm	180	180	250	250	250
Capacity	kg/h	29	35	37	41	41
Relative humidity	%	10	10	10	10	15
Variable Speed	m/min	1,3 - 3,0	1,3 - 3,0	1,6 - 3,6	1,6 - 3,6	1,6 - 3,6
VOLTAGE/Hz/Phase circuit breaker						
230V/50Hz/1	A	25	32	40	40	50
230V/50Hz/3	A	16	20	25	25	32
230V/60Hz/1	A	25	32	40	40	50
230V/60Hz/3	A	16	20	25	25	32
400V/50Hz/3	A	10	16	16	16	25
400V/60Hz/3	A	10	16	16	16	25
440V/60Hz/3*	A	10	10	16	16	16
480V/60Hz/3**	A	10	16	16	16	16
Heating Power	kW	4,5	5,4	6	7,2	8,4
Auxiliary (including Motor) rated input	kW	0,16	0,16	0,16	0,16	0,25
Total electric input	kW	4,66	5,56	6,16	7,36	8,65
*Heating Power at 440V	kW	4,12	4,94	5,49	6,59	7,69
*Total electric input at 440V	kW	4,28	5,10	5,65	6,75	7,94
**Heating Power at 480 V	kW	4,90	5,88	6,53	7,84	9,15
**Total electric input at 480 V	kW	5,06	6,04	6,69	8,00	9,40
Exhaust diameter	mm	N/A	N/A	N/A	N/A	3"
DIMENSIONS						
Height	mm	1070	1070	1070	1070	1070
Width	mm	1410	1610	1410	1610	1610
Depth	mm	450	450	450	450	450
Net weight	kg	80	87	89	99	104
TRANSPORT DATA						
Height	mm	1310	1310	1310	1310	1310
Width	mm	1520	1720	1520	1720	1720
Depth	mm	530	530	530	530	530
Gross weight	kg	97	107	106	119	124



DIMENSIONS

A	Max length	1410 - 1610
B	Max ironing length	1200 - 1400
C	Max height	1070
D	Feeding table height	980
E	Collecting trough height	635
F	Max depth	450
G	Frame depth	395
H	Pedal wiring inlet	90
I	Power supply inlet	90
L	Exhaust diameter	ø 75 mm / 3"
M	Exhaust positioning	90
N	Exhaust positioning	160

- | | |
|---------------------|-------------------------|
| 1. Ironing cylinder | 5. Supply cable grommet |
| 2. Feeding table | 6. Pedal |
| 3. Safety bar | 7. Exhaust fan outlet |
| 4. Adjustable foot | |