



TX9
TUMBLE DRYER



RADIAL AND AXIAL AIRFLOW
For maximal heat transfer, low energy consumption and short drying time



ECO VERSION
All dryers are available with reduced kW heating element



EXTRA LARGE DOOR OPENING
For easy loading and unloading



IMPROVED DURABILITY
for your peace of mind with a 3 - year warranty

FEATURES & BENEFITS

Features

- Standard stainless steel drum
- Anthracite grey skin plate
- Inox top panel
- Large door opening for easy loading & unloading

Options

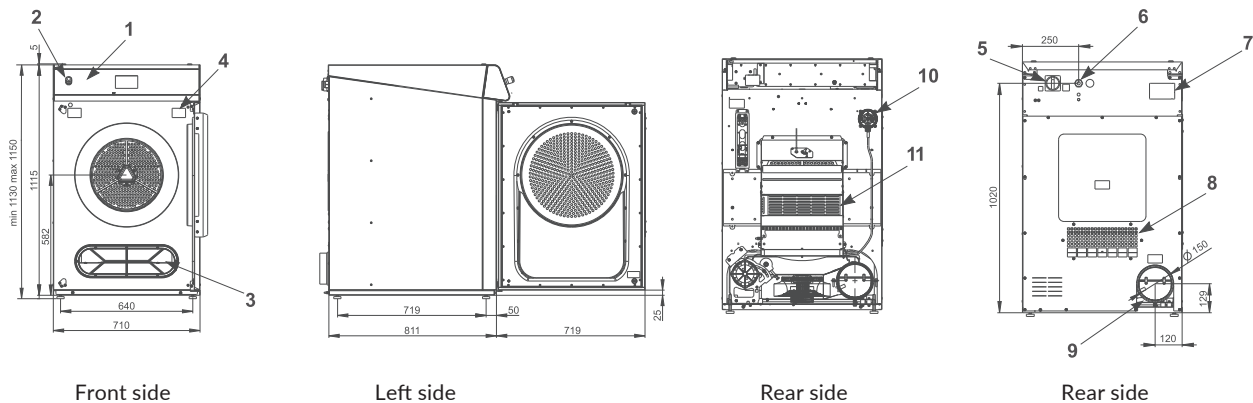
- Coin operated
- Stainless steel front
- Reversing drum
- Residual moisture control Sensodry:
 - safe drying of delicate linen
 - humidity detection in %
- Heating power from 6 kW up to 12 kW, to match various installation requirements

Control

- Easy - To - Use Microprocessor (ECT) - intuitive control with simple selection of 3 programs

SPECIFICATIONS

TYPE		TX9
CAPACITY		
Capacity 1:18	kg (lb)	11(24)
Capacity 1:22	kg (lb)	9(20)
Drum volume	l	195
Drum diameter	mm	Ø 670
Drum depth	mm	555
DOOR		
Door opening	mm	Ø 500
Opening direction		Right (reversible)
Door opening angle		210°
DRYING PERFORMANCE		
Airflow type		Axial
Airflow	m3/h	300
HEATING		
Heating type		Electric
Heating power	kW	6 / 9 / 12
Total power supply	kW	6,4 / 9,4 / 12,4
Electrical connection		3x220 - 230V 50Hz 3x220 - 230V 60Hz 3x240V 50Hz 3x380 - 415V+N 50Hz 3x380 - 415V+N 60Hz 3x380 - 415V 50Hz 3x380 - 415V 50Hz 3x440V 60Hz
MOTOR		
Fan	kW	0,25
Drive	kW	0,25
CONNECTION		
Exhaust	mm	150
NOISE		
Drying sequence	db	55
DIMENSIONS		
H×W×D	mm	1150x710x945
Net weight	kg	125
TRANSPORT DATA		
Packed H×W×D	mm	1253x752x970
Gross weight	kg	180



- | | | |
|--------------------------|----------------------|---------------------|
| 1. Control panel | 5. Main switch | 9. Exhaust piping |
| 2. Emergency stop button | 6. Main power supply | 10. Airflow switch |
| 3. Lint screen | 7. Serial plate | 11. Heating chamber |
| 4. Door switch | 8. Suction | |